

Neorest 600 Elongated Toilet/Bidet

FEATURES

- Cyclone® siphon jet flushing system, low consumption (1.2GPF/4.5LPF and 1.6GPF/6.0LPF)
- SanaGloss® ceramic glaze - SanaGloss glaze prevents debris, and mold from sticking to ceramic surfaces, leading to fewer chemicals and less water in cleaning.
- Auto lid open/close, auto flush
- Convenient remote control
- Adjustable heated seat
- Adjustable spray position
- Washlet with three wash modes (front, rear, soft)
- Oscillating and pulsing comfort washing
- Energy saver timer
- Built-in air purifying system
- Dryer function
- 12" Unifit rough-in

MODELS

- MS990CGR
With SanaGloss ceramic glaze

COLORS/FINISHES

- #01 Cotton
- #11 Colonial White
- #12 Sedona Beige

PRODUCT SPECIFICATION

The Neorest 600 uses our Cyclone flushing system toilet shall be 1.2GPF/4.5LPF and 1.6GOF/6.0LPF. Toilet shall have SanaGloss ceramic glaze. Toilet shall be of skirted design, elongated front bowl with auto open and close seat. Toilet shall be TOTO Model MS990CGR_____.



SanaGloss

CYCLONE®
FLUSHING SYSTEM BY TOTO

CODES/STANDARDS

- Meets and exceeds ASME A112.4.2, ASME A112.19.2/CSA B45.1, ASME A112.18.1/CSA B125.1, UL 1431, CSA C22.2 # 68
- Certifications: IAPMO(cUPC), Intertek, State of Massachusetts, City of Los Angeles and others
- Code Compliance: UPC, IPC, NSPC, NPC Canada, and others



MS990CGR

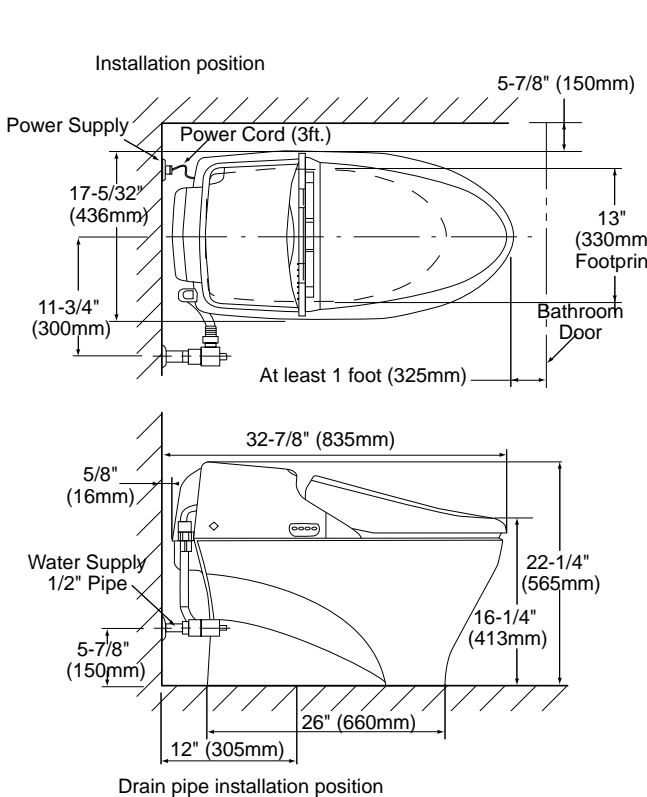
Neorest 600 Elongated Toilet/Bidet

SPECIFICATIONS

Water Use:	1.6 Gpf/6.0 Lpf with alternate 1.2 Gpf/4.5 Lpf
Flush System:	Cyclone Siphon Jet
Water Supply:	Min 8.7gal/min (33L/min) before installation Max 80 PSI (0.55MPa) static
Water Surface:	11-3/8" x 7-7/8"
Trap Diameter:	2-1/8"
Rough In:	12" rough in
Trap Seal:	2-7/16"
Warranty:	Three Year Limited Warranty (Residential) One Year Limited Warranty (Commercial)
Material:	Bowl: Vitreous china Seat and cover: Plastic
Shipping Weight:	120 lbs.
Shipping Dimensions:	40-1/4" x 23" x 31-1/8"

Power Rating	120V AC, 60 Hz.1277W
Power Cord	Maximum length: 3 ft
Water Feature	Adjustable Water Flow Rate Rear washing: from 9 to 14.5 oz/min. Soft washing: from 9 to 14.5 oz/min. Front washing: from 9.5 to 14.5 oz/min.
	Temperature of Washing Spray Minimum: 86° F/30° C Maximum: 104° F/40° C
Safety Features:	Temperature fuse, Bi-metal sensor (auto reset), and Float switch (prevent boil)
Drying Feature	Air Temperature: High: About 138°F/59°C Medium: About 122°F/50°C Low: About 104°F/40°C Capacity of Air: 10.5 ft3/min
Safety Feature:	Temperature Fuse
Seat Warming Feature	Surface Temperature: Minimum: 79° F/26° C Maximum: 97° F/36° C Seat Heater Capacity: 50W Safety Feature: Thermal fuse
Deodorizing Feature Method:	O ₂ Deodorizer Air Volume: 5.5 ft3/min

Warning: If there is a base board in the restroom, the center of the floor drain should be a minimum of 12" from the base board.



Water Supply Pressure	Minimum: 20 psi Maximum: 80 psi
Ambient Temperature Range	33°F/1°C to 104°F/63°C
Size	17" x 32.2" x 22.2"
Weight	Net:108 lbs.



These dimensions and specifications are subject to change without notice